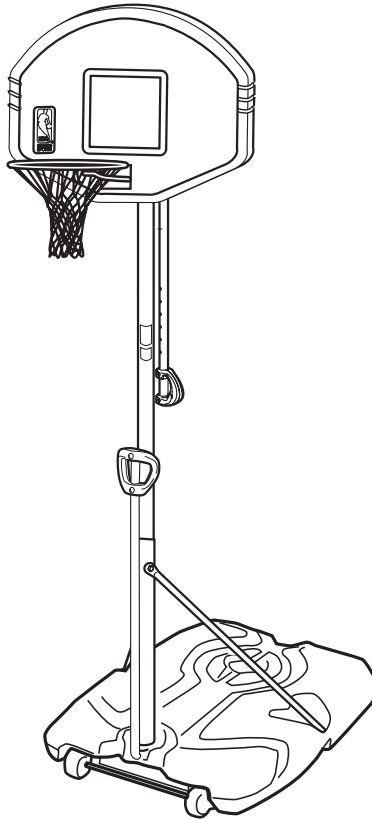


HUFFY[®]SPORTS

Portable System Owners Manual

Customer Service Center

• N53 W24700 South Corporate Circle • Sussex, WI 53089 • U.S.A.



! WARNING!

**READ AND UNDERSTAND
OPERATOR'S MANUAL
BEFORE USING THIS UNIT.**

**FAILURE TO FOLLOW
OPERATING INSTRUCTIONS
COULD RESULT IN INJURY
OR DAMAGE TO PROPERTY.**

REQUIRED TOOLS AND MATERIALS:

- Two People
- Tape Measure
- Wood Board (Scrap)
- Wrenches: (One) 3/8", 5/16", (Two) 7/16", 1/2", 9/16", 3/4", or Large and Small Adjustable Wrenches
- Sawhorse or Support Table
- Step Ladder 8 ft. (2.4 m)
- Garden Hose or Sand (225 lb.) (102 kg)
- Hammer
- Tape
- Phillips Screwdriver

Toll-Free Customer Service Number for U.S: **1-800-558-5234**,

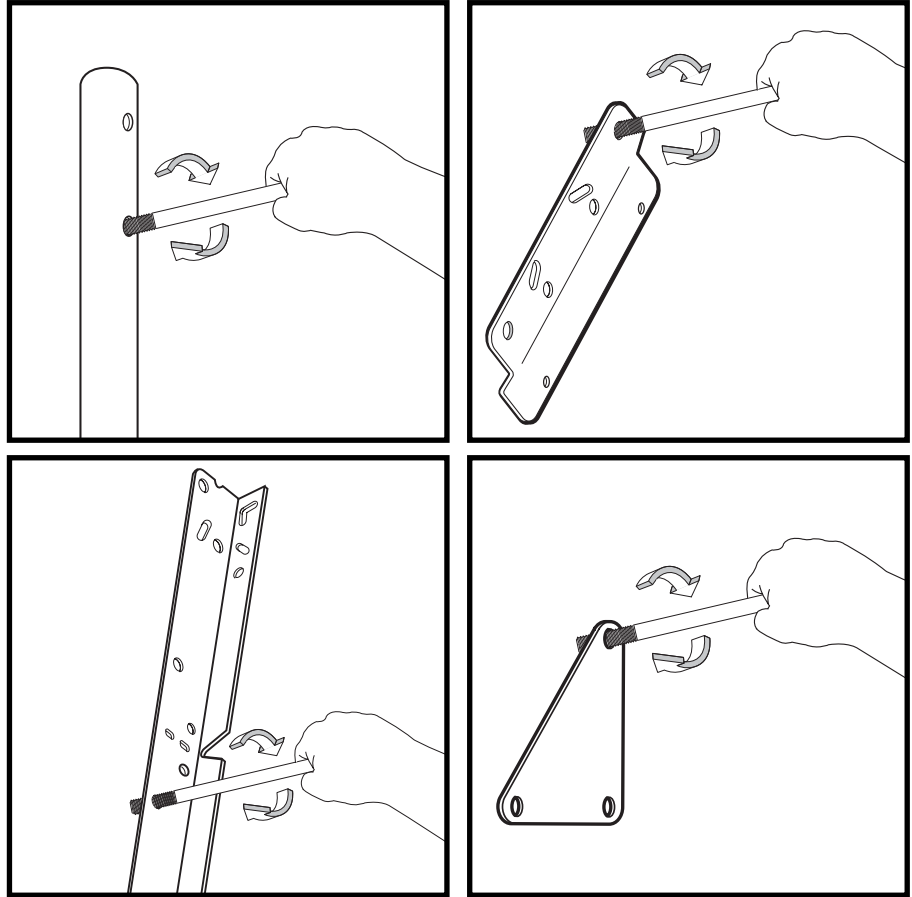
For Canada: **1-800-284-8339**,

For Europe: **00 800 555 85234** (Sweden: **009 555 85234**),

For Australia: **1-800-333 061**

Internet Address: <http://www.huffysports.com>

BEFORE YOU START!



To ensure optimal playability of backboard system, a close tolerance fit between the elevator components and hardware is required. Test-fit large bolts into large holes of elevator tubes, backboard brackets, and triangle plates. Carefully rock them in a circular motion to ream out any excess paint from holes if necessary.



WARNING

FAILURE TO FOLLOW THESE WARNINGS MAY RESULT
IN SERIOUS INJURY AND/OR PROPERTY DAMAGE.

*Owner must ensure that all players know and follow
these rules for safe operation of the system.*

- DO NOT HANG on the rim or any part of the system including backboard, support braces or net.
- During play, especially when performing dunk type activities, keep player's face away from the backboard, rim and net. Serious injury could occur if teeth/face come in contact with backboard, rim or net.
- Do not slide, climb, shake or play on base and/or pole.
- After assembly is complete, fill system completely with water or sand and stake to the ground. Never leave system in an upright position without filling base with weight, as system may tip over causing injuries.
- When adjusting height or moving system, keep hands and fingers away from moving parts.
- Do not allow children to move or adjust system.
- During play, do not wear jewelry (rings, watches, necklaces, etc.). Objects may entangle in net.
- Surface beneath the base must be smooth and free of gravel or other sharp objects. Punctures cause leakage and could cause system to tip over.
- Keep organic material away from pole base. Grass, litter, etc. could cause corrosion and/or deterioration.
- Check pole system for signs of corrosion (rust, pitting, chipping) and repaint with exterior enamel paint. If rust has penetrated through the steel anywhere, replace pole immediately.
- Check system before each use for proper ballast, loose hardware, excessive wear and signs corrosion and repair before use.
- Check system before each use for instability.
- Do not use system during windy and/or severe weather conditions; system may tip over. Place system in the storage position and/or in an area protected from the wind and free from personal property and/or overhead wires.
- Never play on damaged equipment.
- See instruction manual for proper installation and maintenance.
- When moving system, use caution to keep mechanism from shifting.
- Keep pole top covered with cap at all times.
- Do not allow water in tank to freeze. During sub-freezing weather add non-toxic antifreeze, sand or empty tank completely and store. (Do not use salt.)
- While moving system, Do not allow anyone to stand or sit on base or have added ballasting on base.
- Do not leave system unsupervised or play on system when wheels are engaged for moving.
- Use Caution when moving system across uneven surfaces. System may tip over.
- Use extreme caution if placing system on sloped surface. System may tip over more easily.

HUFFY®SPORTS

In the U.S.:1-800-558-5234 and Canada: 1-800-284-8339

201246 2/99



SAFETY INSTRUCTIONS



FAILURE TO FOLLOW THESE SAFETY INSTRUCTIONS MAY RESULT IN SERIOUS INJURY OR PROPERTY DAMAGE AND WILL VOID WARRANTY.

Owner must ensure that all players know and follow these rules for safe operation of the system.

To ensure safety, do not attempt to assemble this system without following the instructions carefully. Check entire box and inside all packing material for parts and/or additional instruction material. Before beginning assembly, read the instructions and identify parts using the hardware identifier and parts list in this document. Proper and complete assembly, use, and supervision are essential for proper operation and to reduce the risk of accident or injury. A high probability of serious injury exists if this system is not installed, maintained, and operated properly.

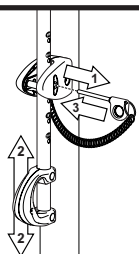
- If using a ladder during assembly, use extreme caution.
- Two (2) people are recommended for this operation.
- Check base regularly for leakage. Slow leaks could cause system to tip over unexpectedly.
- Seat the pole sections properly (if applicable). Failure to do so could allow the pole sections to separate during play and/or transport of the system.
- Climate, corrosion, or misuse could result in system failure.
- Minimum operational height is 7'6" (2.3 m) to the bottom of backboard.
- This equipment is intended for home recreational use only and NOT excessive competitive play.
- Read and understand the warning label affixed to pole. Label is shown on page 3.
- The life of your basketball pole depends on many conditions. The climate, placement of the pole, the location of the pole, exposure to corrosives such as pesticides, herbicides or salts are all important factors.
- If technical assistance is required contact Huffy Sports.
- Adult supervision is recommended when adjusting height.

*Most injuries are caused by misuse and/or not following instructions.
Use caution when using this system.*

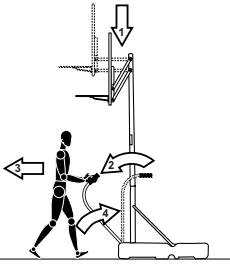
HEIGHT ADJUSTMENT

TO ADJUST BACKBOARD:

1. While holding handle, remove pin.
2. Move elevator up or down to desired height.
3. Replace pin full length to lock system at desired height.



MOVING SYSTEM



1. Adjust basketball backboard height to lowest position.
2. Rotate handles forward until wheels engage ground.
3. Move basketball system to desired location.
4. Rotate handle back to original position.
5. Reattach ground restraint and check system for stability.

201253 2/99

47



Questions or Missing Parts?

DON'T go back to store!

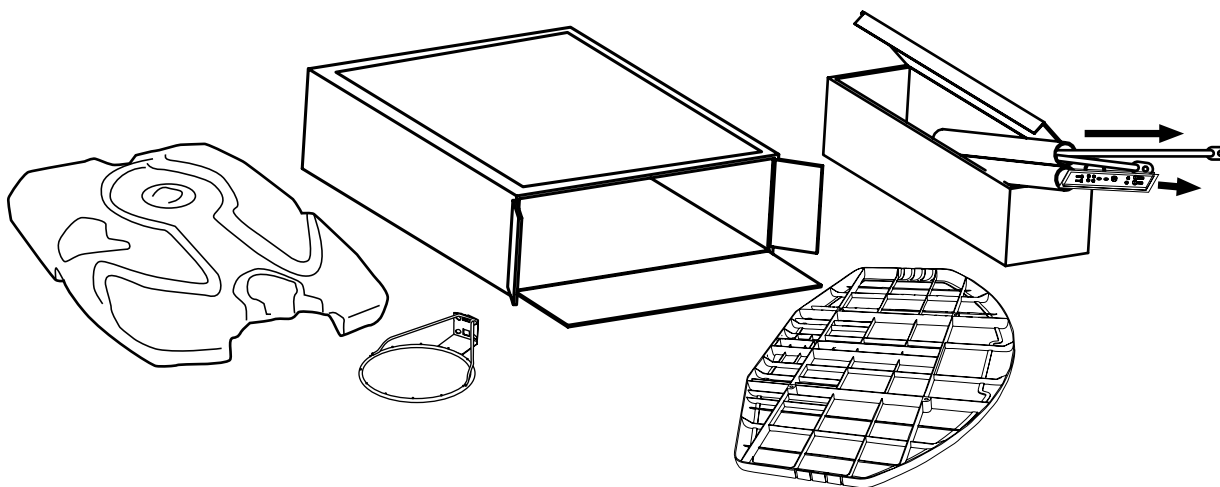
Call TOLL-FREE Customer Service
Number listed on the front page!

NOTICE TO ASSEMBLERS

ALL Huffy Sports Basketball Systems, including those used for DISPLAYS, MUST be assembled and ballasted with sand or water according to the instructions. Failure to follow instructions could result in SERIOUS INJURY. It is NOT acceptable to devise a makeshift weight system.

IMPORTANT!

**Remove all contents from boxes.
Be sure to check inside pole sections;
hardware and additional parts are packed inside.**



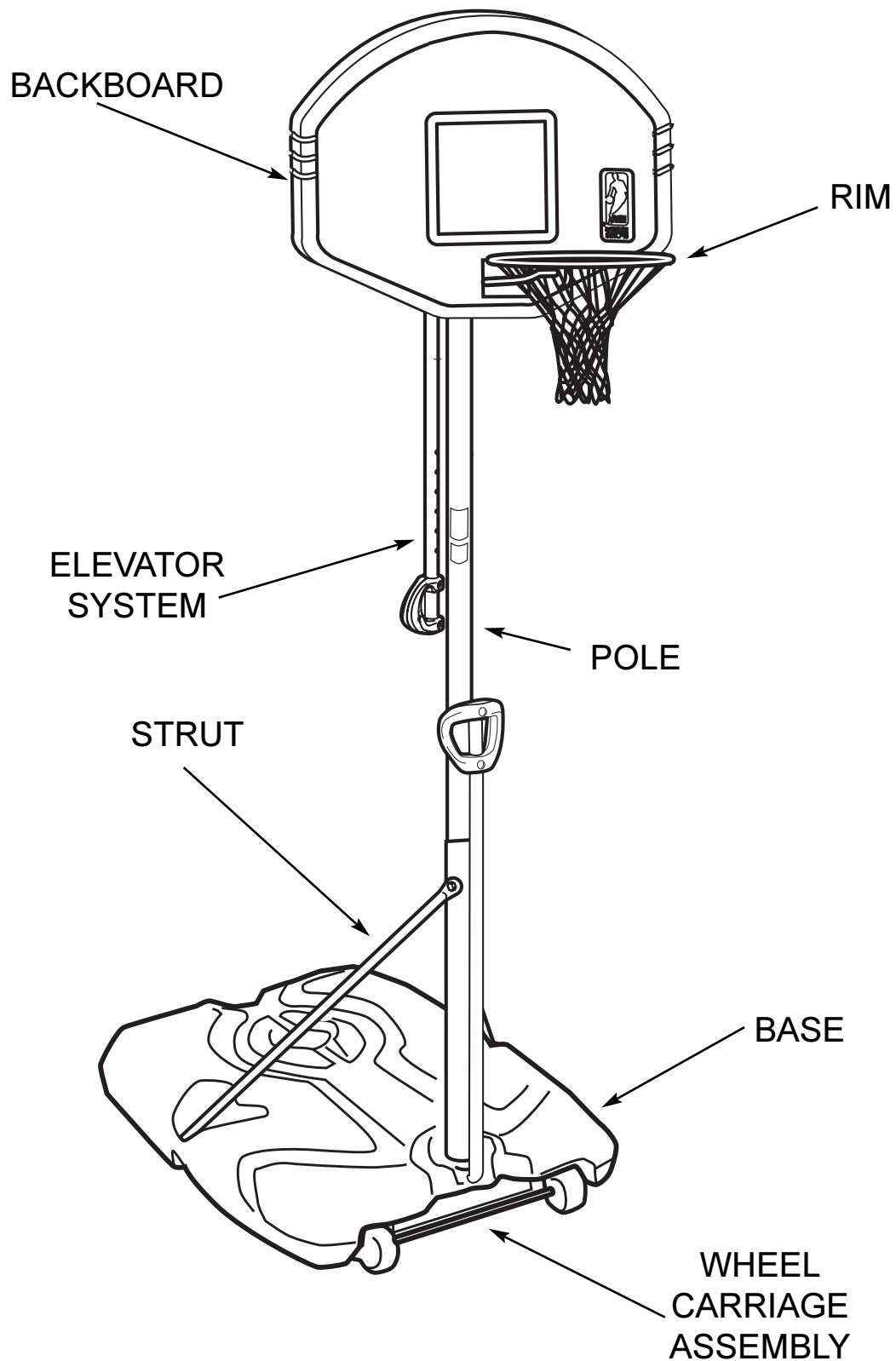
WARRANTY CARD:

Please remember to complete your product registration form either on-line at:
www.huffysports.com or mail-in the enclosed postcard.

For more information on assembly, placement, proper use, and maintenance, visit The American Basketball Council website at <http://www.smarthoops.com>.

Get to know the basic parts of your basketball system.....

FRONT

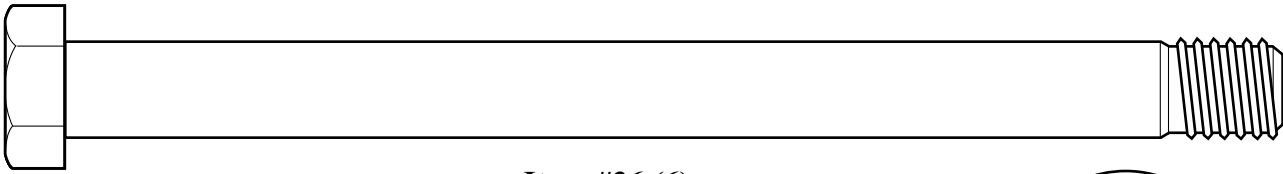


PARTS LIST - (See Hardware Identifier)

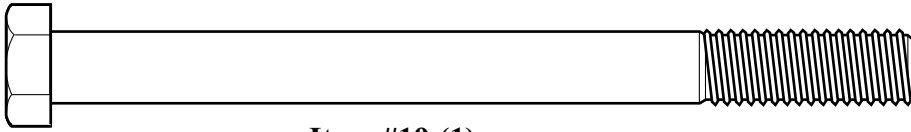
<u>Item</u>	<u>Qty.</u>	<u>Part No.</u>	<u>Description</u>	<u>Item</u>	<u>Qty.</u>	<u>Part No.</u>	<u>Description</u>
1	1	904847	Top Pole Section	35	2	904820	Elevator Tube, Lower -Long
2	1	908482	Middle Pole Section	36	6	206304	Bolt, Hex Head, 1/2-13 x 6-5/16 Long
3	1	900284	Bottom Pole Section	37	8	206311	Spacer, Plastic, .530 I.D. x .50 Long
4	1	206615	Base	38	6	206340	Lock Nut, Hex Head, 1/2-13
5	4	226401	Wheel	39	3	203038	Carriage Bolt, 5/16-18 x 2-3/4 Long
6	2	201651	Spacer, Plastic, Wheel Axle	40	2	904808	Elevator Tube, Upper -Short
7	1	202820	Rod, 3/8 x 4-3/4 Long	41	1	202814	Cap, Pole Top
8	1	206934	Eyebolt	42	1	204837	Spring, Counterweight, Black
9	1	206949	Pivot Bracket, Upper	43	12	201219	Smart Clip, Net Holder
10	3	203063	Lock Nut, 3/8-16 Nylon Insert	44	2	203617	Cap, Base Tank (plastic)
11	2	906410	Base Strut	45	1	201568	Anchor, T-Strap
12	1	201625	Bolt, Yellow Dichromate, 5/16-18 X 3.60" Long	46	1	203124	Stake, Tie Down
13	11	203218	Washer, Flat, 3/8 I.D.	47	1	201253	Label, Height Adjustment and Moving
14	13	203100	Nut, Hex Flange 5/16-18	48	1	204855	Handle, Left
15	1	203220	Lock nut, 5/16-18 , Nylon Insert	49	1	204856	Handle, Right
16	2	203798	Bolt, Hex Flange, 5/16-18 x 1-1/2 Long	50	1	204803	Screw, Phillips Head
17	1	206948	Pivot Bracket, Lower	51	1	904833	Height Adjustment Rod
18	2	206252	Bolt, Hex Head, 3/8-16 x 1 Long	52	1	204872	Label, Height Indicator
19	1	203330	Bolt, Hex Head, 3/8-16 x 4-1/2 Long	53	1	204832	Bracket, Pole Mount
20	1	906606	Handle Bar	54	2	203231	Carriage Bolt, 5/16-18 x 3-1/2 Long
21	1	900223	Wheel Bracket	55	2	204857	Spacer, metal 1/2" O.D.x1.44 Long
22	4	203103	Carriage Bolt, 5/16-18 x 2 Long	56	2	204858	Spacer, Biscuit, plastic
23	1	206604	Handle, Back Plastic	57	4	203232	Washer, metal, 3/4" O.D.
24	1	206940	Axle	58	2	204859	Cover, Pin Slide
25	2	206938	Push Cap	59	1	204853	Lanyard, Black Coil
26	1	206605	Handle, Front Plastic	60	1	204850	Pin, Locking
27	4	204804	Screw, Phillips Head, 3/4" Long	61	1		Rim
28	1	206956	Disc, 5" O.D. x 13/32 I.D., plastic	62	1	204290	Net
29	2	900846	Board Bracket	63	1	206990	Reinforcement Bracket
30	2	201129	Spacer, .500 O.D. x 1.8 Long	64	1	200628	Wheel Axle, 1 1/4 Long
31	1	240017	Bolt, Hex Head, 1/4-20 x 2-1/4 Long	65	1	200627	Wheel Carriage
32	1	203493	Nut, 1/4-20, Center Lock	66	2	203217	Carriage Bolt, 5/16-18 x 1 1/2 Long
33	3*	206360	Bolt, Hex Head, 3/8-16 x 2-5/8 Long	Items not used with this model			
34	4*	201124	Lock Nut, Hex Head, 3/8-16	67	2	200874	Spacer, Steel .402 I.D.x.50 O.D.x1.5 Long
				68	2	201642	Spacer .530 I.D. x.63 O.D. x .63 Long

* You may have extra parts with this model.

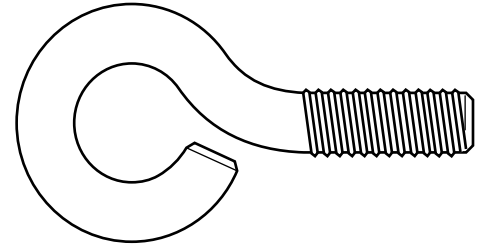
HARDWARE IDENTIFIER (BOLTS & SCREWS)



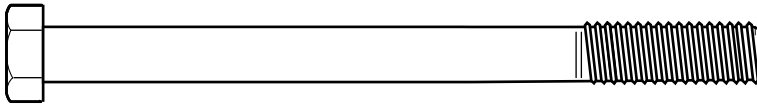
Item #36 (6)



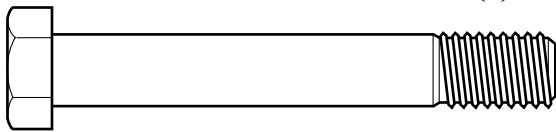
Item #19 (1)



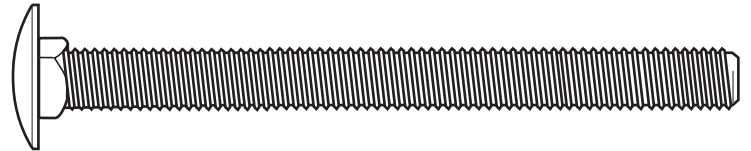
Item #8 (1)



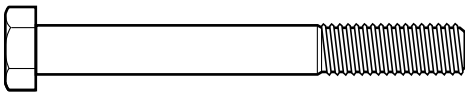
Item #12 (1)



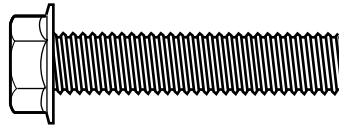
Item #33 (3)



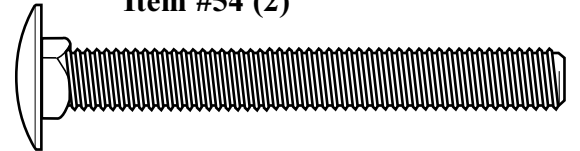
Item #54 (2)



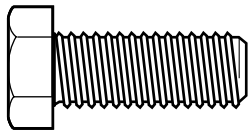
Item #31 (1)



Item #16 (2)



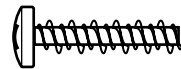
Item #39 (3)



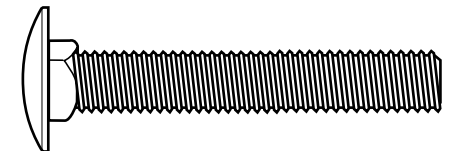
Item #18 (2)



Item #50 (1)

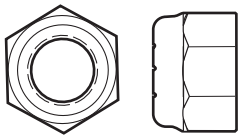


Item #27 (4)

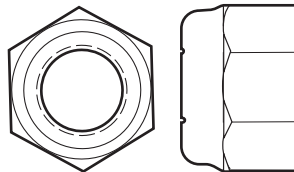


Item #22 (4)

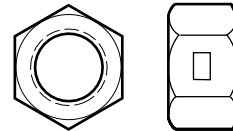
HARDWARE IDENTIFIER (NUTS)



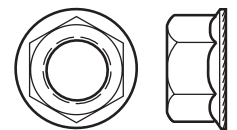
Item #10 (3)



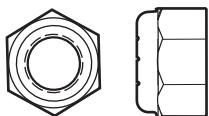
Item #38 (6)



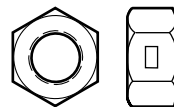
Item #34 (4)



Item #14 (11)*



Item #15 (1)

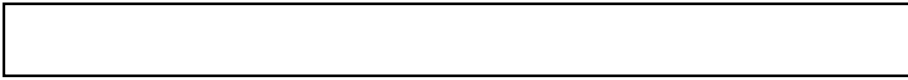


Item #32 (1)

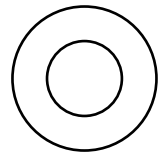
* You may have extra parts with this model.

HARDWARE IDENTIFIER (CONTINUED)

HARDWARE IDENTIFIER (METAL RODS, SPACERS & WASHERS)



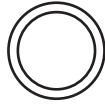
Item #7 (1)



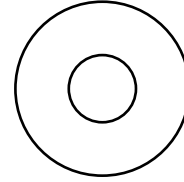
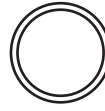
Item #57 (4)



Item #30 (2)

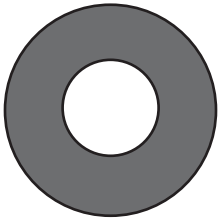


Item #55 (2)

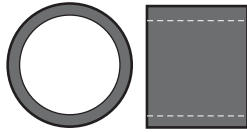


Item #13 (11)

HARDWARE IDENTIFIER (PLASTIC SPACERS & CLIPS)



Item #6 (2)



Item #37 (8)

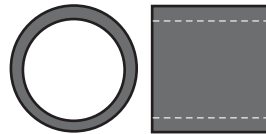
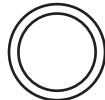


Item #43 (12)

ITEMS NOT USED WITH THIS MODEL



Item #67 (2)

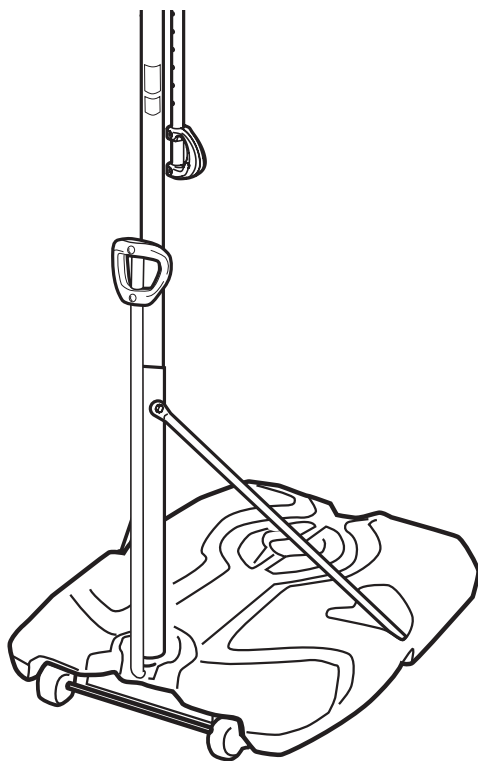


Item #68 (2)

* You may have extra parts with this model.

SECTION A: ASSEMBLE THE BASE

This is what your system will look like when you've finished this section:



TOOLS REQUIRED FOR THIS SECTION

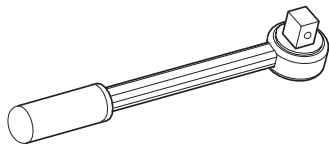
Wrenches

(2) 1/2" AND (2) 9/16"



AND/OR

(2) Socket Wrenches and Sockets



1/2"

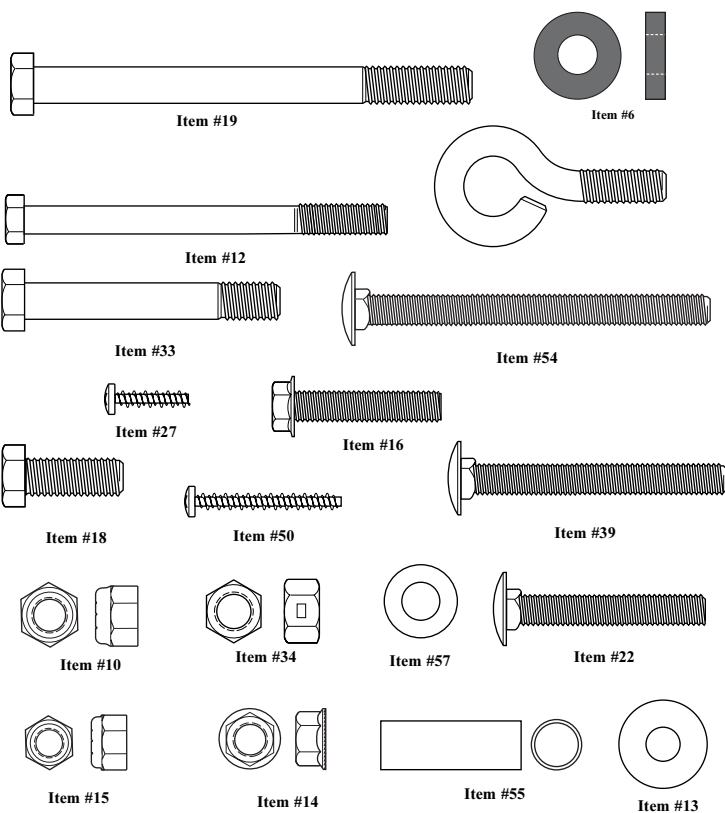


9/16"

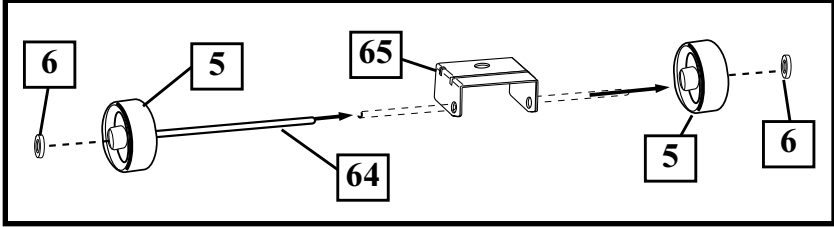
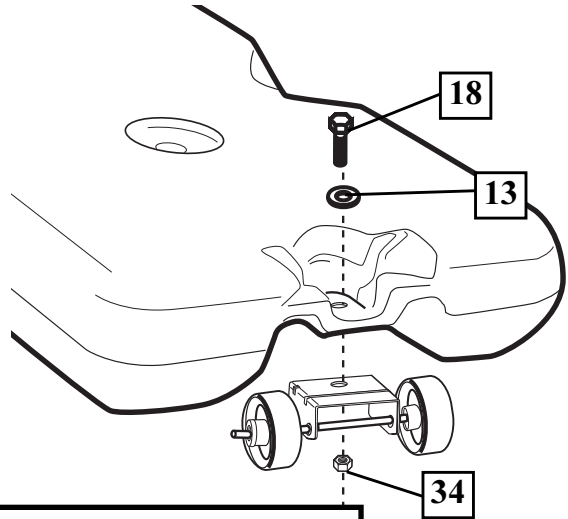
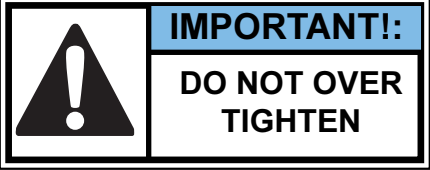


Socket Extension

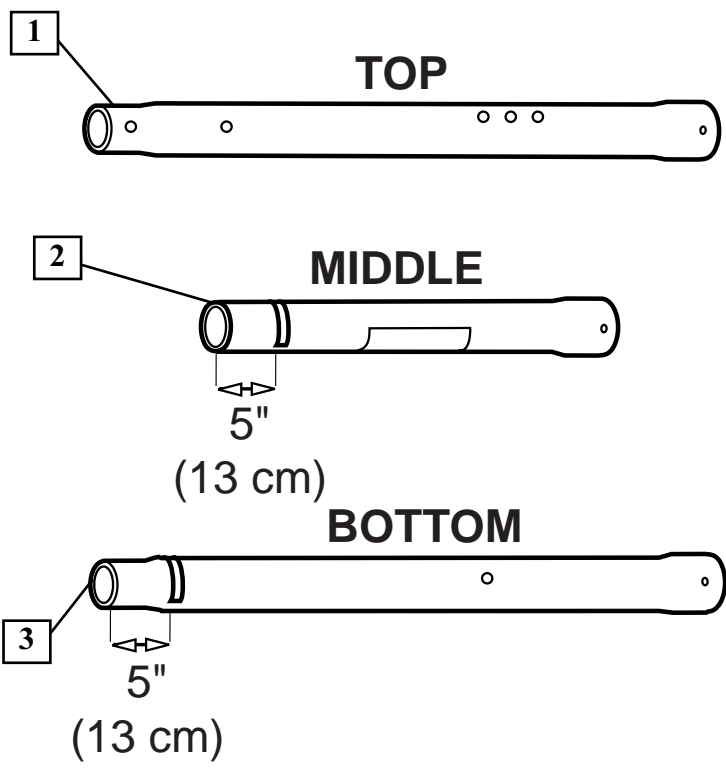
HARDWARE USED IN THIS SECTION (not actual size)



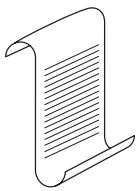
- 1.** Install wheel axle (64) through wheel carriage (65) and install wheels (5) onto wheel axle (64) with spacers (6) as shown. Secure wheel bracket as shown, a deep socket is recommended.



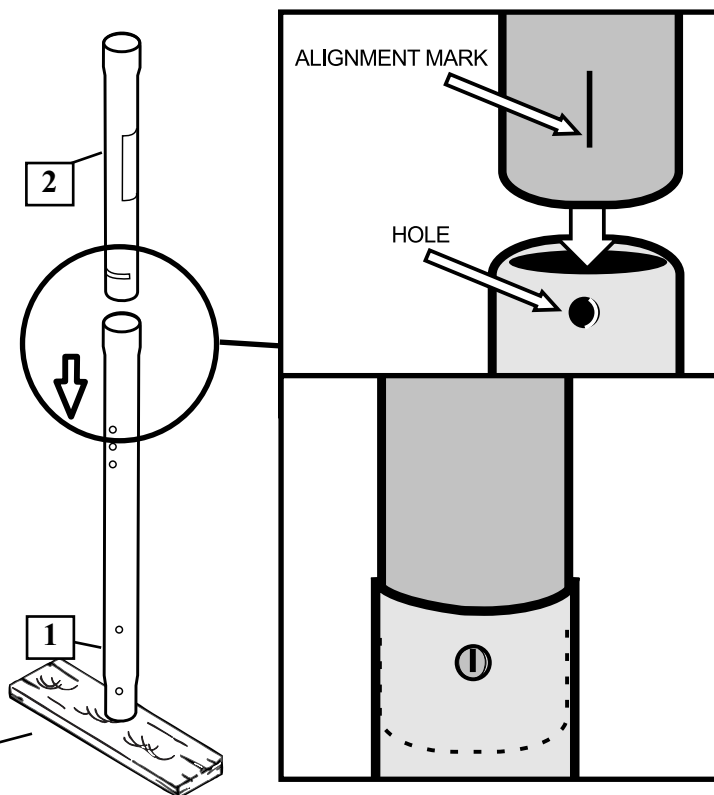
- 2.** Mark pole sections with tape as shown.



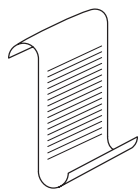
3. IMPORTANT! Center alignment slot of middle pole section (2) in a lower hole of top pole section (1) as shown. While maintaining alignment, bounce pole top (1) and middle section (2) together as shown until they no longer move toward taped reference mark. Upright assembly.

	NOTE:
	POLE SECTIONS SHOULD HAVE A 3-1/2" (9 CM) MINIMUM OVERLAP.

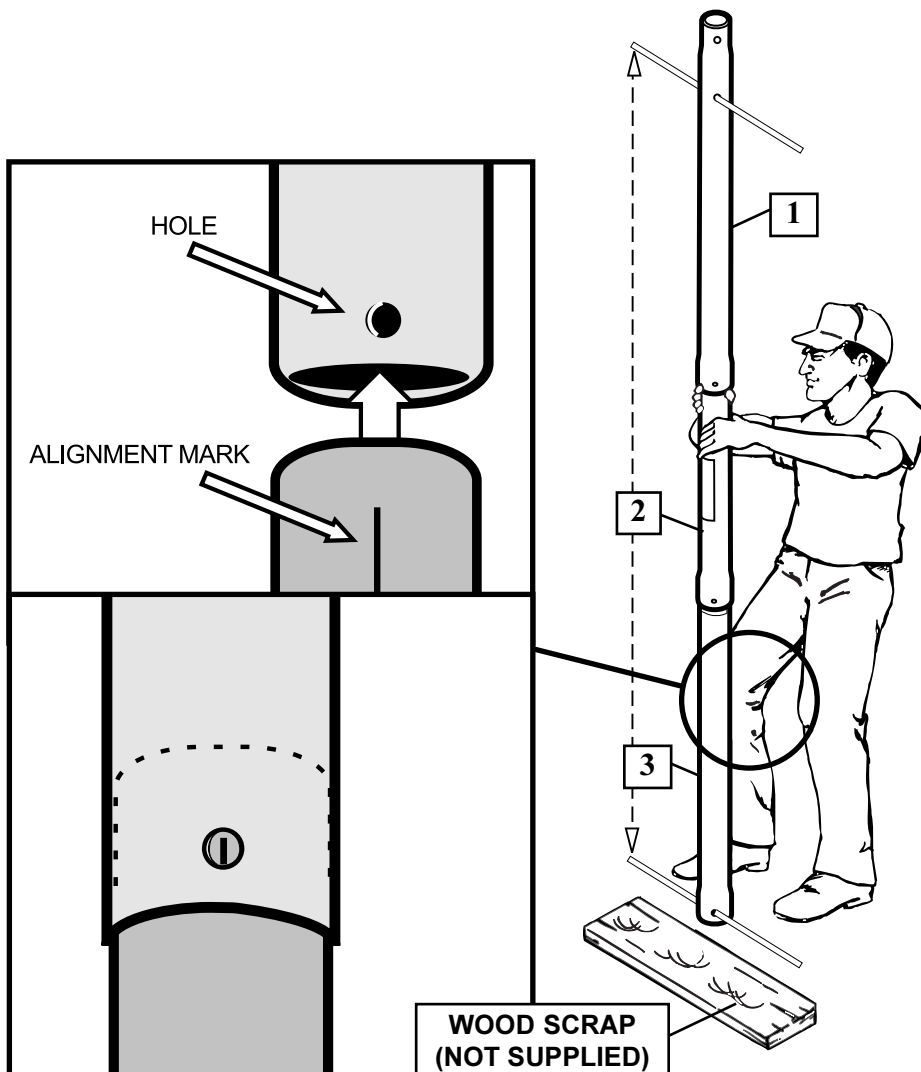
WOOD SCRAP (NOT SUPPLIED)



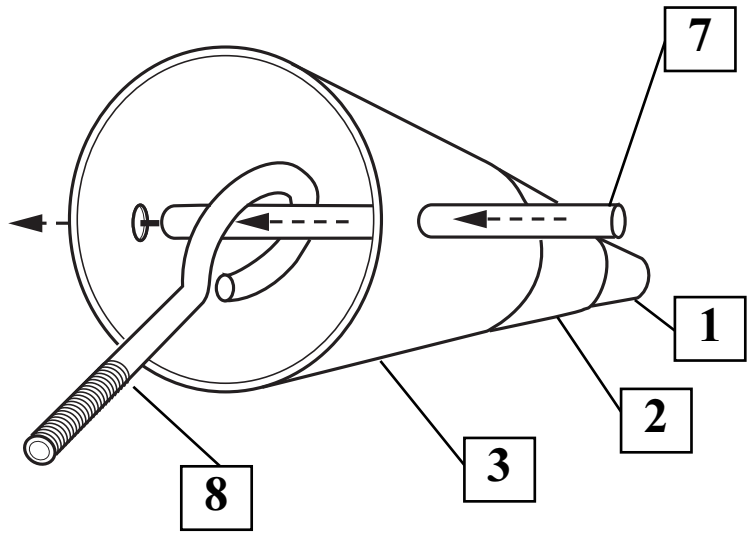
4. IMPORTANT! Center alignment slot of lower pole section (3) in a lower hole of middle pole section (2) as in step 3. While maintaining alignment, bounce assembly and lower pole section (3) together as shown until they no longer moved toward taped reference mark.

	NOTE:
	POLE SECTIONS SHOULD HAVE A 3-1/2" (9 CM) MINIMUM OVERLAP.

WOOD SCRAP (NOT SUPPLIED)

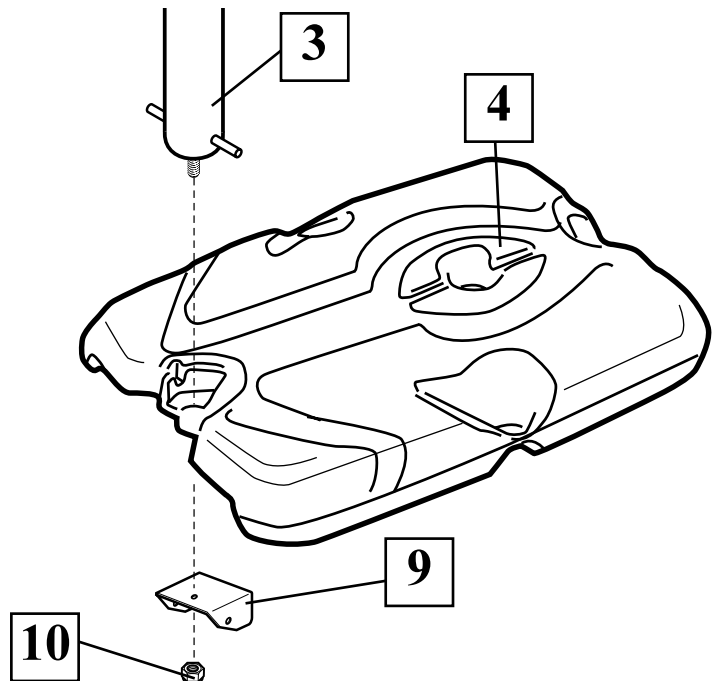


5. Install rod (7) through holes in bottom pole section (3) and eyebolt (8).



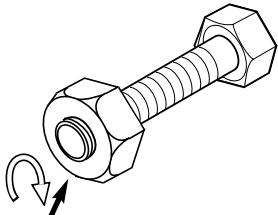
6. Insert pole assembly into tank assembly as shown. Secure pole assembly with upper pivot bracket (9) and lock nut (10).

	<p>! WARNING!</p> <p>TWO PEOPLE REQUIRED FOR THIS PROCEDURE. FAILURE TO FOLLOW THIS WARNING COULD RESULT IN SERIOUS INJURY AND/OR PROPERTY DAMAGE.</p>
---	--

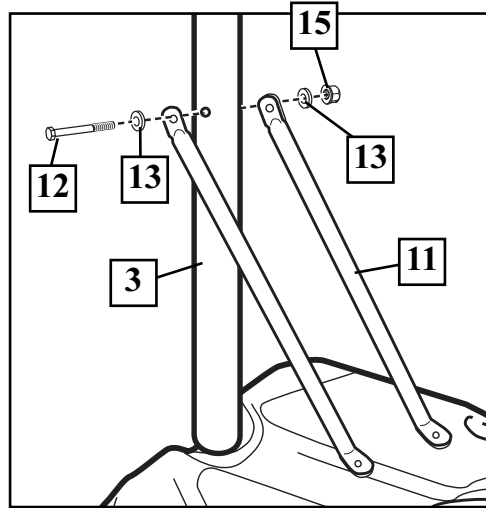


- 7.** Secure base struts (11) to pole using bolt (12), washers (13), and nut (15) as shown.

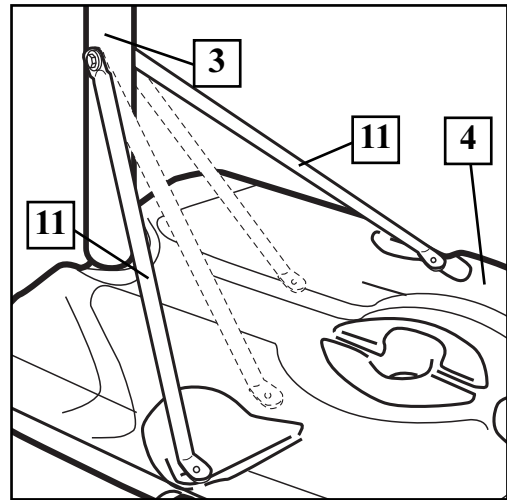
! WARNING!



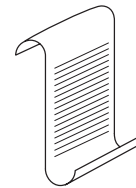
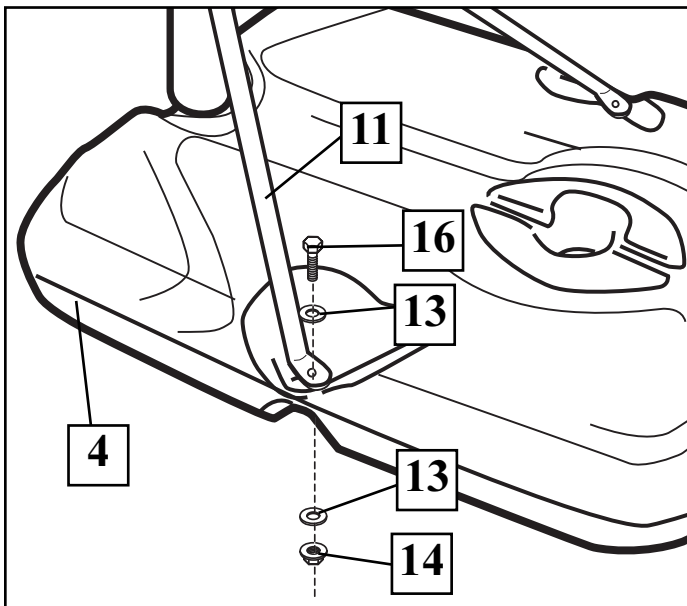
TIGHTEN BOLT (9) IN LOCK NUT (12) UNTIL FLUSH (EVEN) WITH LOCK NUT'S OUTER EDGE.



Rotate the non-secured ends of base struts (11) as shown.

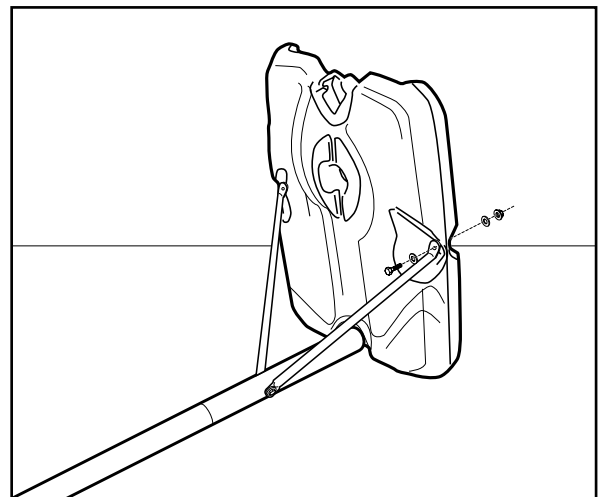


- 8.** Secure base struts (11) to base using bolt (16), washers (13), and nut (14).

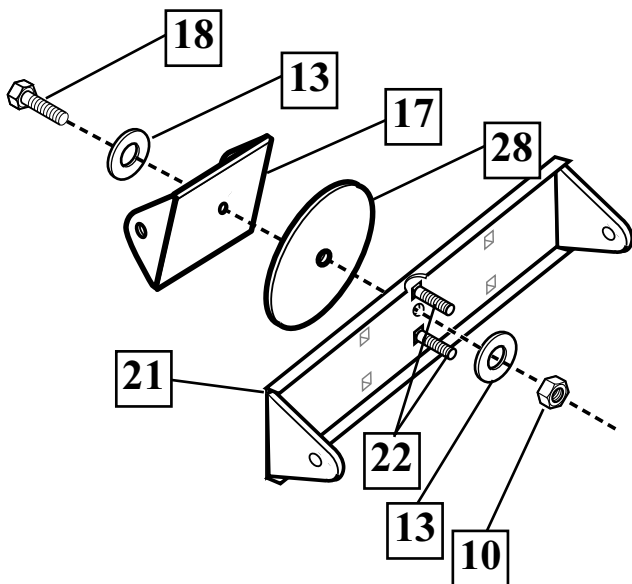


NOTE:

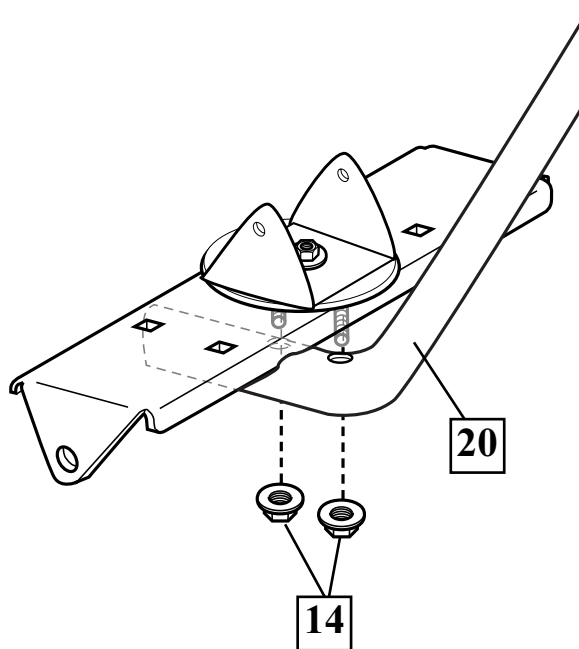
CAREFULLY TIPPING THE SYSTEM FORWARD WILL ALLOW EASIER ACCESS TO UNDERSIDE OF BASE



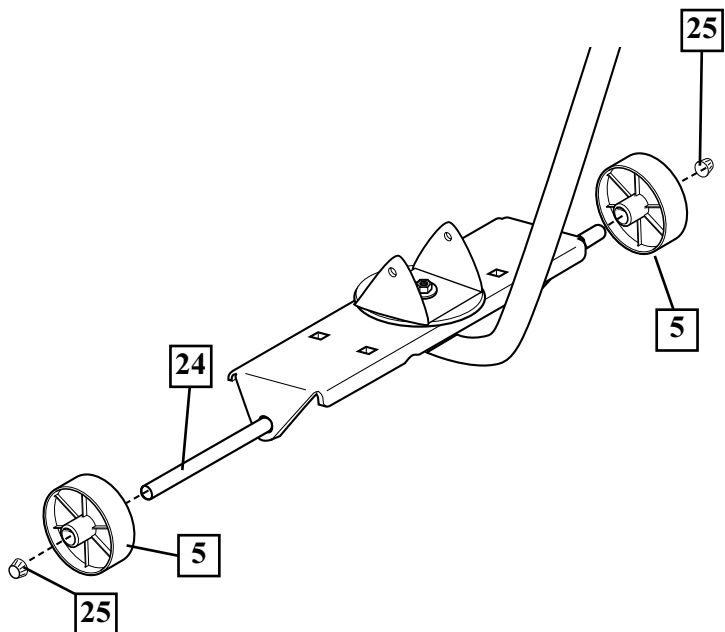
- 9.** Insert carriage bolts (22) into middle set of holes on wheel bracket (21) as shown. Attach lower pivot bracket (17) to wheel bracket using bolt (18), washers (13), disc (28), and nut (10) as shown. Tighten completely.



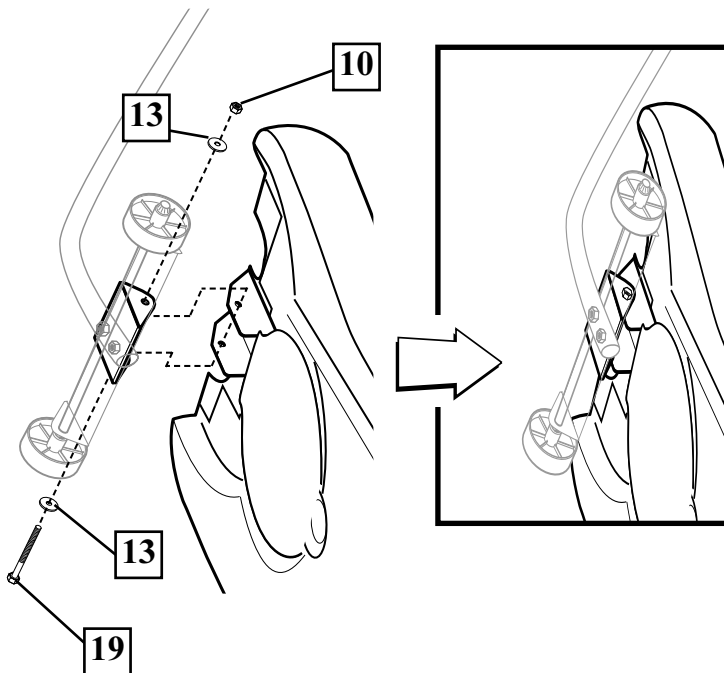
- 10.** Attach handle bar (20) to wheel bracket assembly using nuts (14) as shown.



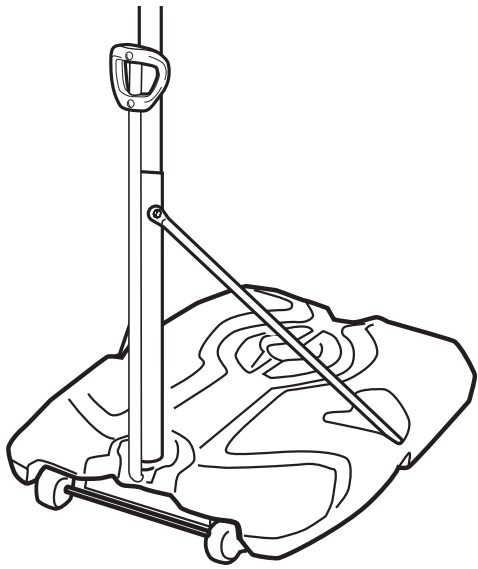
- 11.** Install wheels (5) onto axle (24) and wheel bracket assembly with push caps (25) as shown.



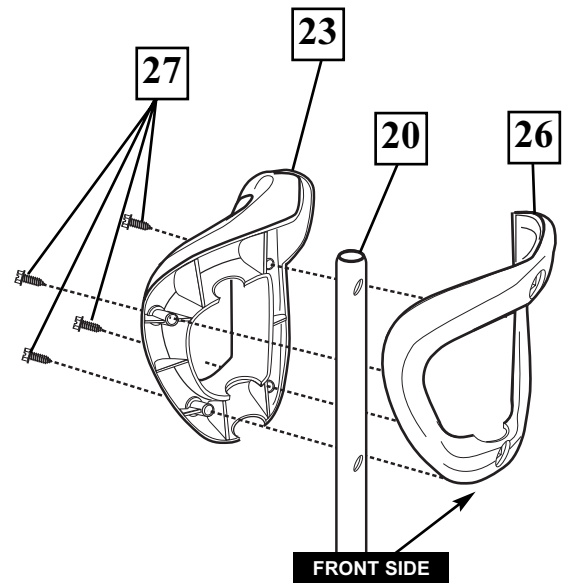
- 12.** Attach wheel bracket assembly to base assembly using bolt (19), washers (13), and nut (10) as shown.



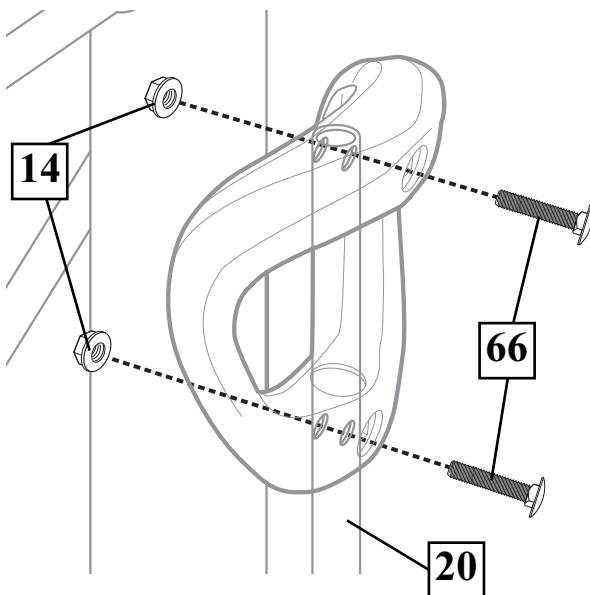
- 13.** Carefully reposition entire assembly as shown.



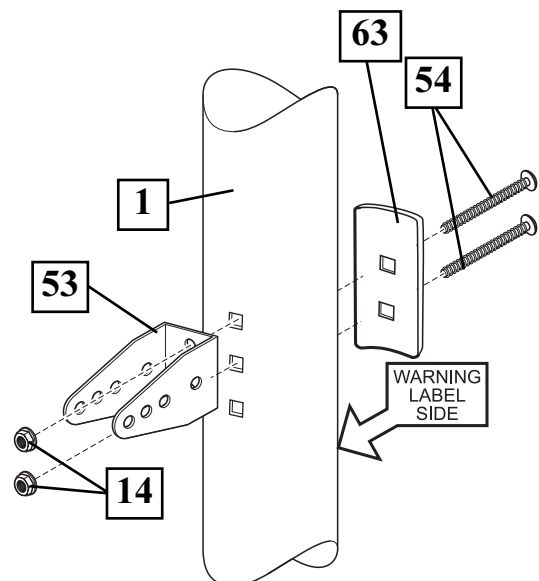
- 14.** Attach front of plastic handle (26) to back of plastic handle (23) around handle bar (20) using self-tapping screws (27) as shown.



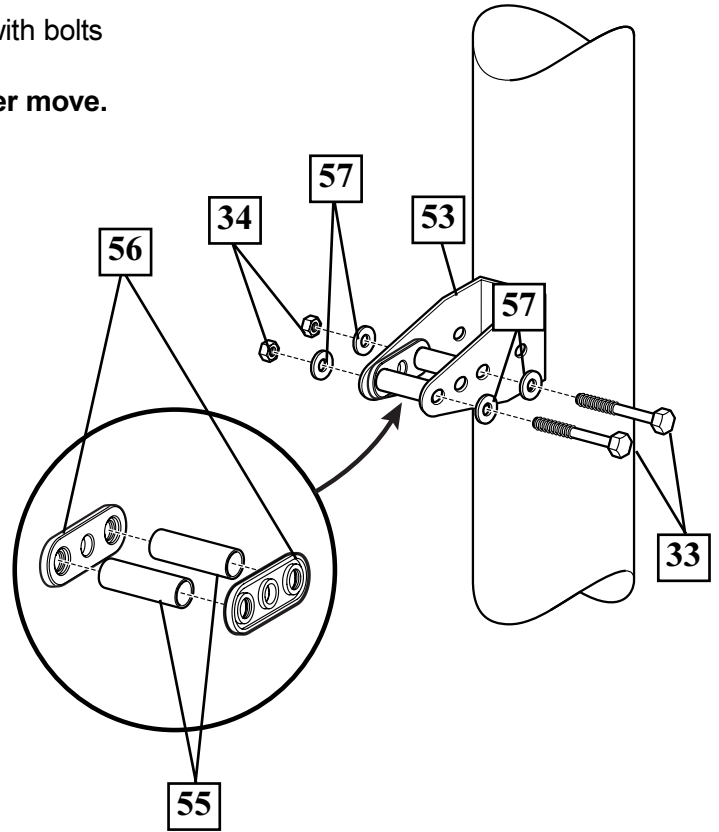
- 15.** Insert bolts (66) through plastic handle assembly, handle bar (20), and attach nuts (14) as shown. Tighten completely.



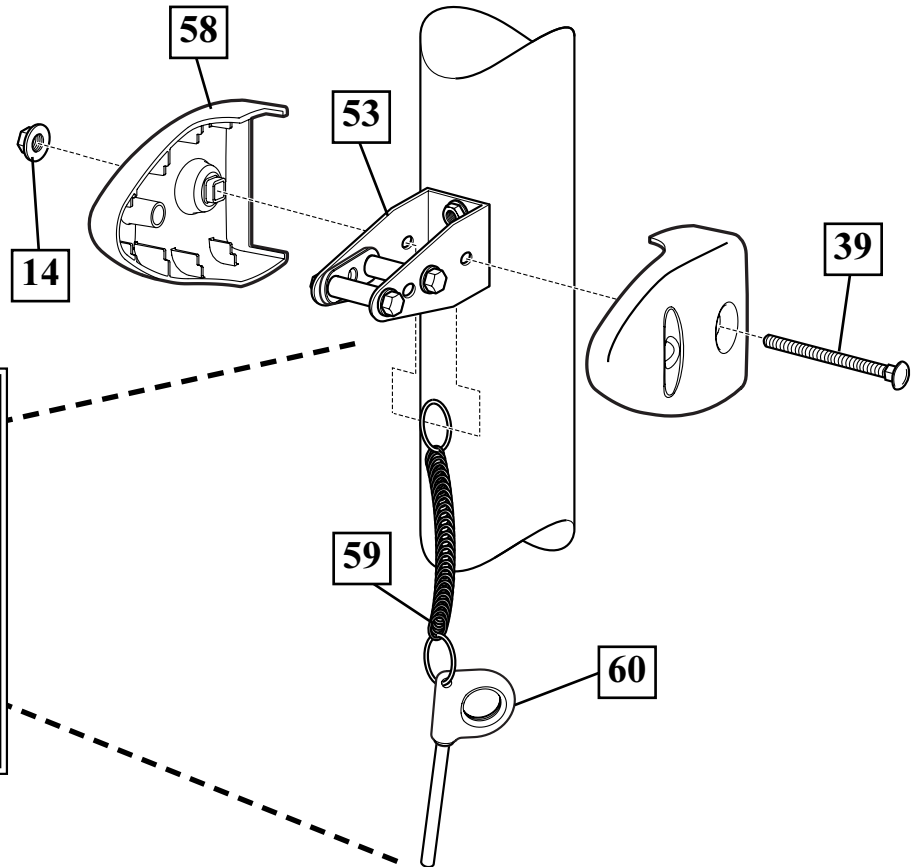
- 16.** Install pole mount bracket (53) and reinforcement bracket (63) with carriage bolts (54) as shown. Tighten flange nuts (14) completely.



- 17.** Attach spacers (55, 56) to pole mount bracket (53) with bolts (33), washers (57), and nuts (34) as shown.
IMPORTANT! Tighten until washers (57) no longer move.



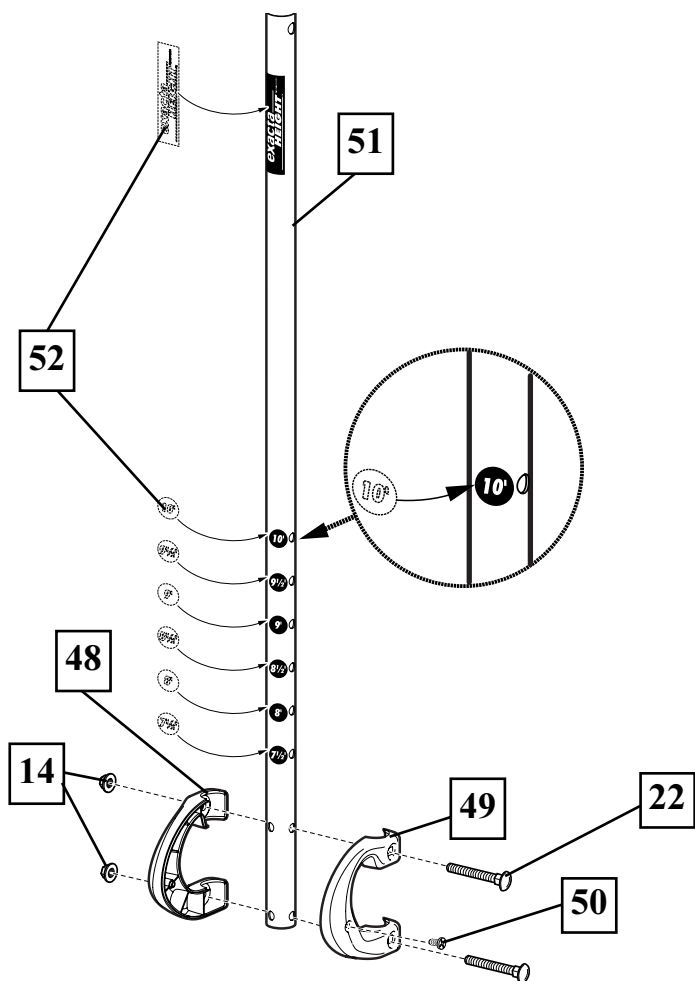
- 18.** Attach covers (58) onto pole mount bracket (53) with carriage bolt (39) and nut (14) as shown. **NOTE:** Assemble lanyard (27) to locking pin (28) as shown.



	<p>IMPORTANT!: Loop end of pin lanyard (59) over carriage bolt (39) as it passes through the pole mount bracket (53) during this assembly.</p>
--	---

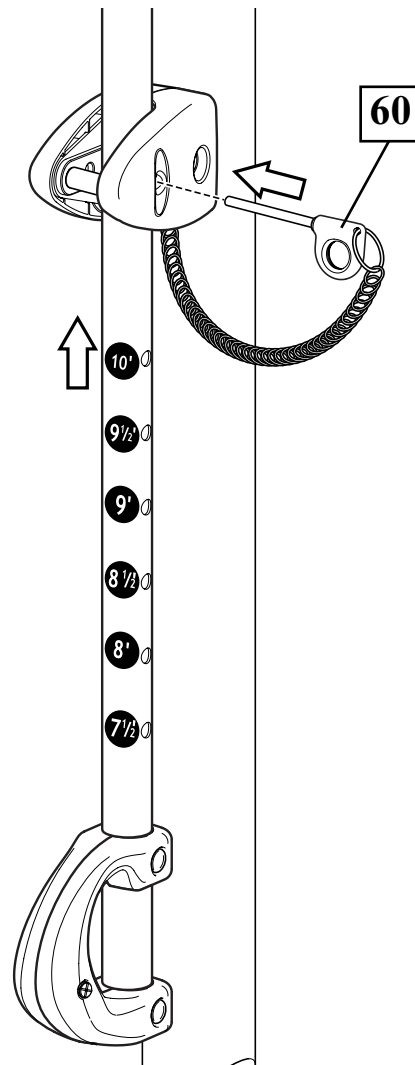
19.

Apply logo and height indicator labels (52) to adjustment rod (51) as shown. Attach handle parts (48, 49) to adjustment rod (51) with screw (50), carriage bolts (22), and flange nuts (14) as shown. **IMPORTANT! Indicator labels should be applied as close to holes as possible to prevent labels from being damaged during height adjustment.** **NOTE:** Holes in adjustment rod allow for either rear access or side access.



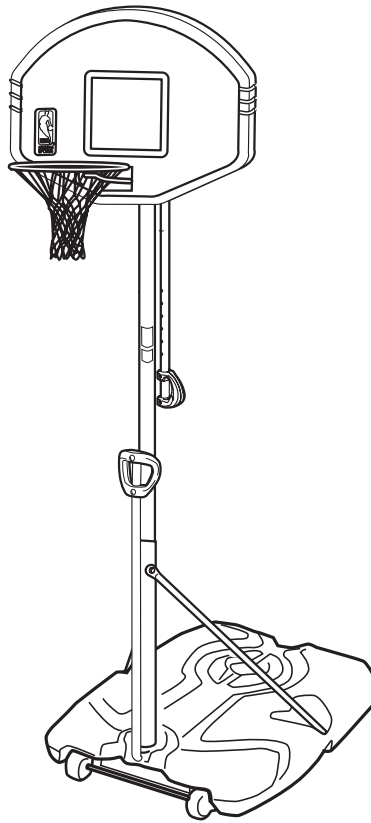
20.

Insert handle assembly through pole mount assembly as shown. Lock pole assembly in place at the 10' (3.05m) mark with pin (60).



SECTION B: ATTACH THE BACKBOARD

This is what your system will look like when you've finished this section:



TOOLS REQUIRED FOR THIS SECTION

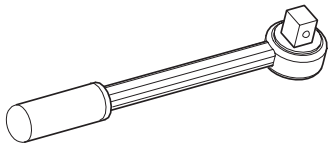
Wrenches

(2) 1/2", (2) 9/16" AND 3/4"



AND/OR

(2) Socket Wrenches and Sockets



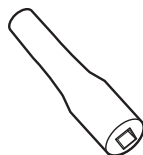
1/2"



9/16"

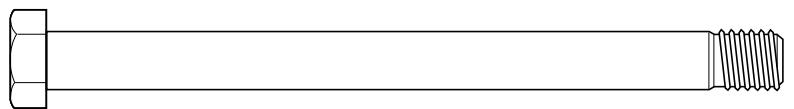


3/4"



Socket Extension

HARDWARE USED IN THIS SECTION (not actual size)



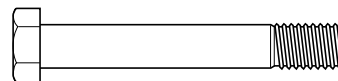
Item #36



Item #37



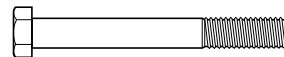
Item #43



Item #33



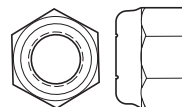
Item #30



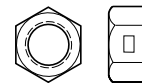
Item #31



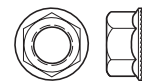
Item #32



Item #38



Item #34

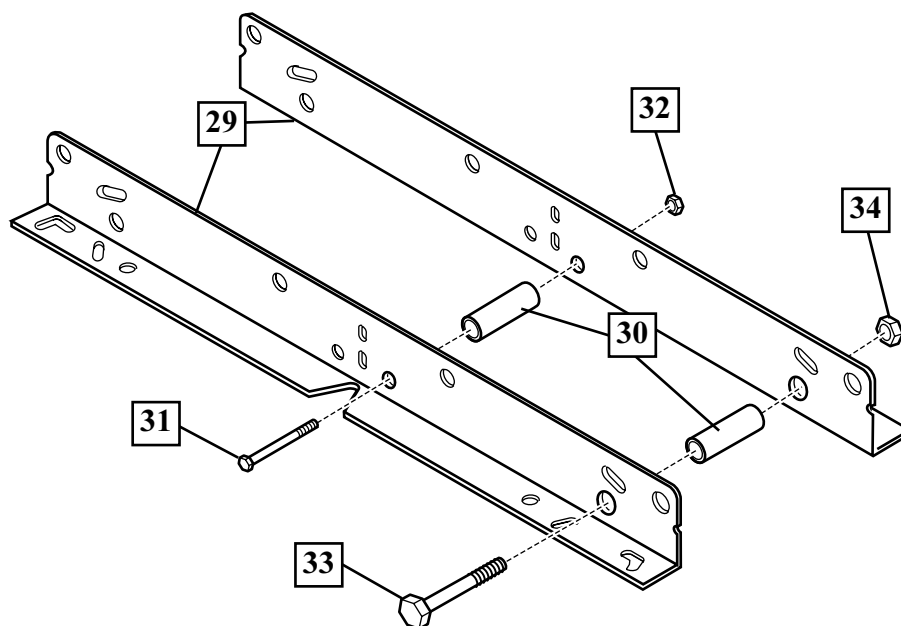


Item #14

ELEVATOR INSTALLATION

Install spacers (30) onto backboard brackets (29) with bolts (31, 33) and lock nuts (32, 34) as shown.

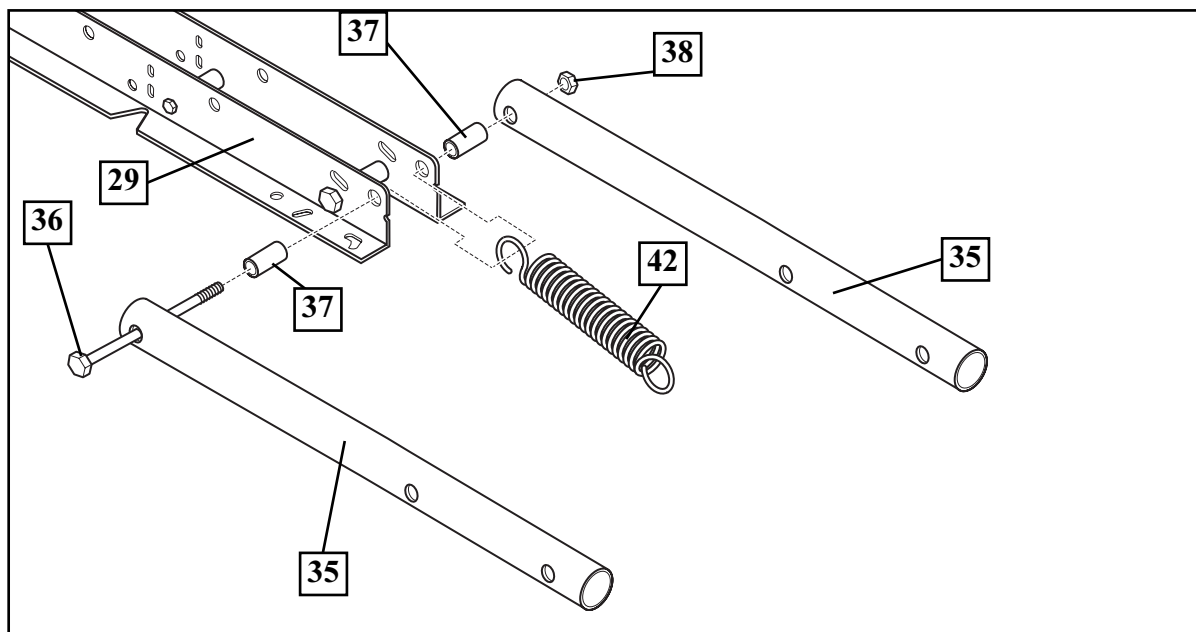
21.



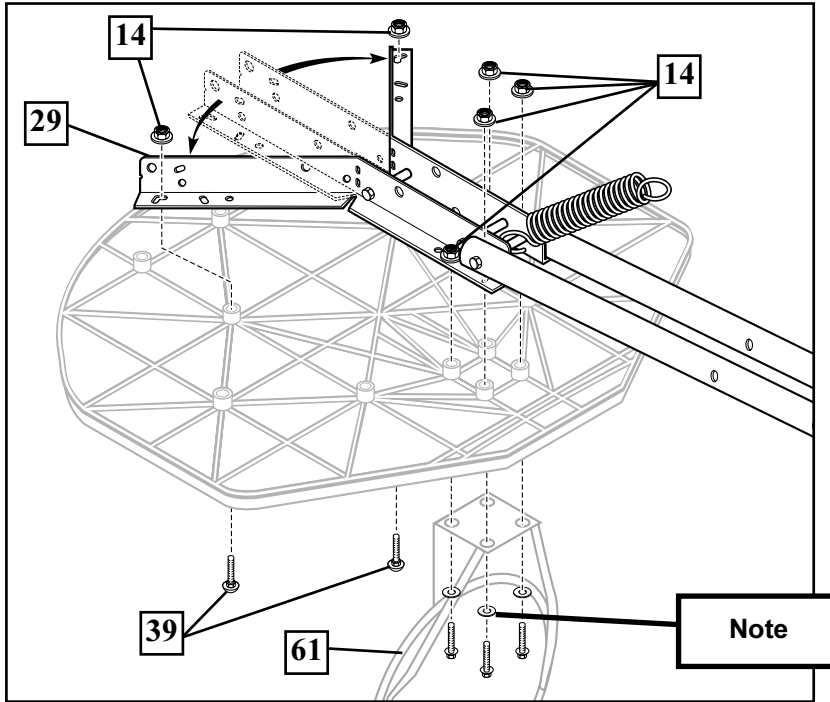
Assemble lower elevator tubes (35) as shown. Tighten completely.

IMPORTANT! It is necessary for all parts to be installed for this mechanism to work safely and properly.

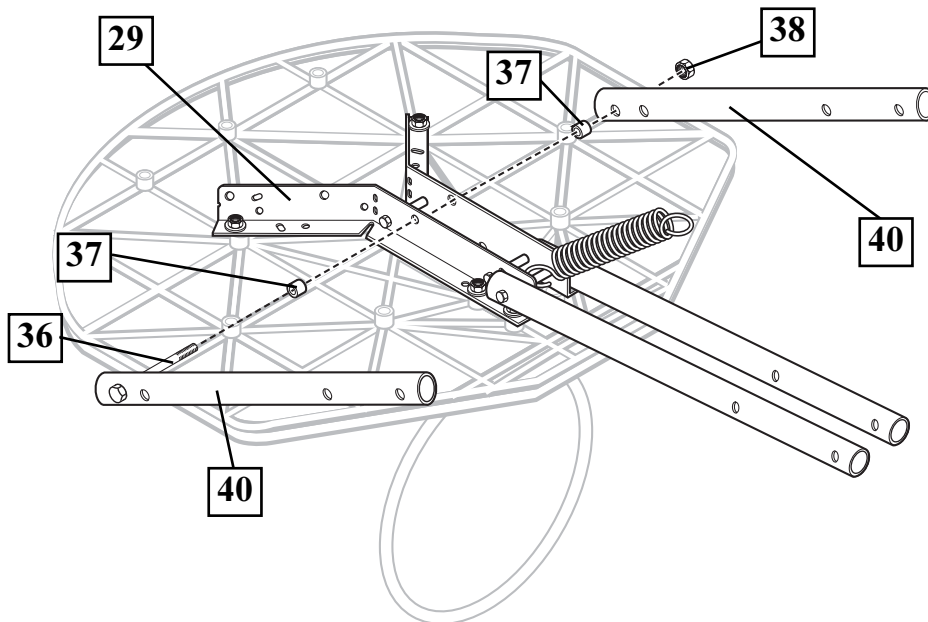
22.



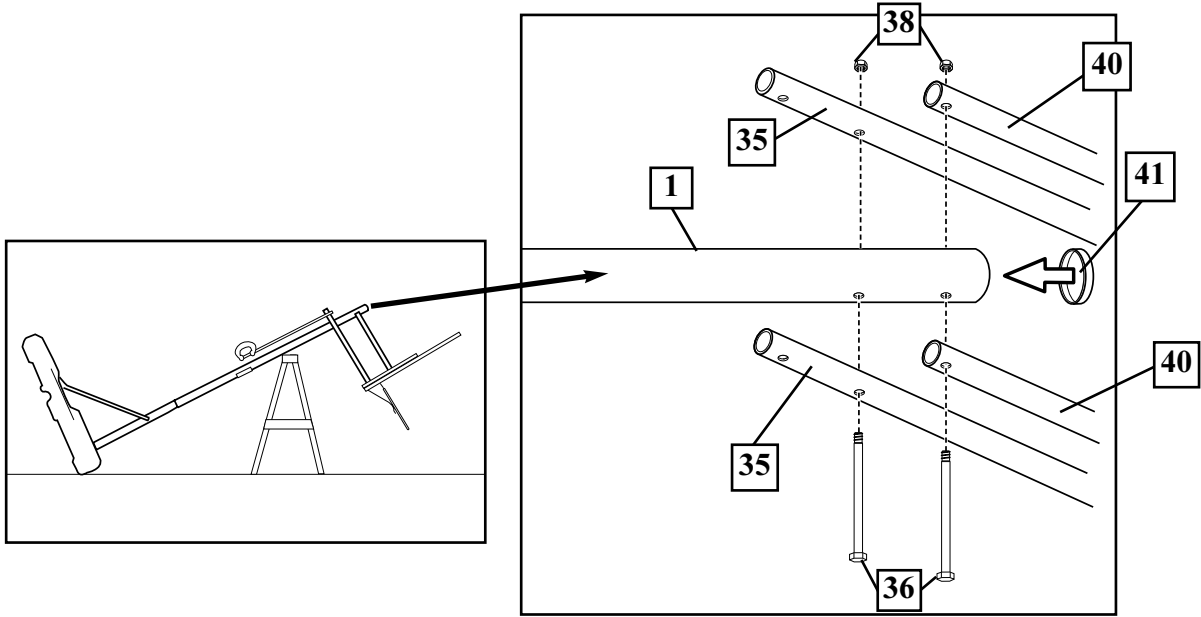
- 23.** Starting with nuts (14) flush against bracket (29), secure rim (61) and bracket to backboard.
IMPORTANT! For spring loaded rim assembly, refer to instructions included with rim hardware.
NOTE: Do not use washers here on spring return style rim.
Bend bracket (29) to line up with holes in backboard and secure.



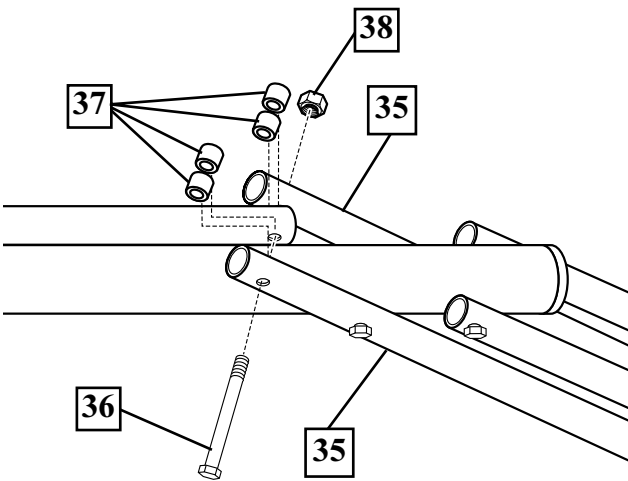
- 24.** Assemble upper elevator tubes(40) to backboard brackets(29) as shown.



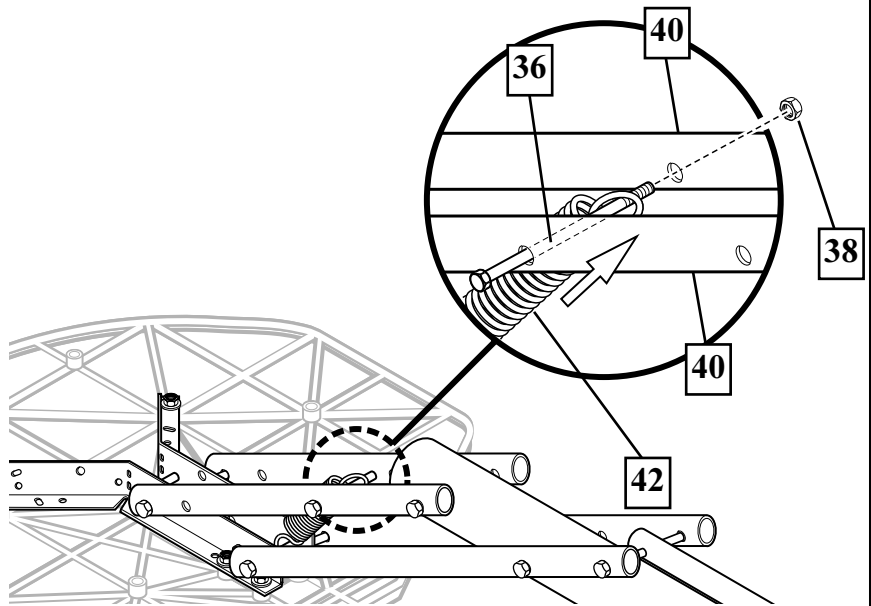
- 25.** Support pole on sawhorse. Attach backboard assembly to top pole section (1). Then install pole cap (41).
NOTE: Two people are recommended for this step. Use caution; elevator assembly is heavy.



- 26.** Install handle assembly to lower elevator tubes (35) using bolt (36), spacers (37), and nut (38). **NOTE:** Before going onto the next step, set adjustment system to the 10' (3.05m) setting.

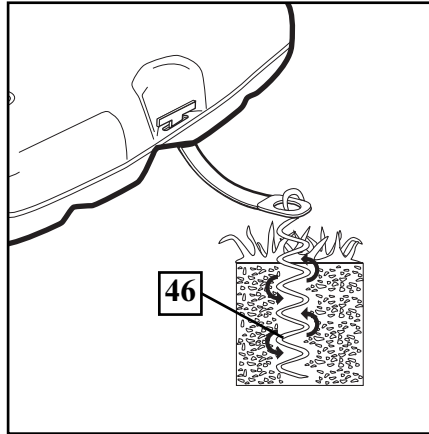
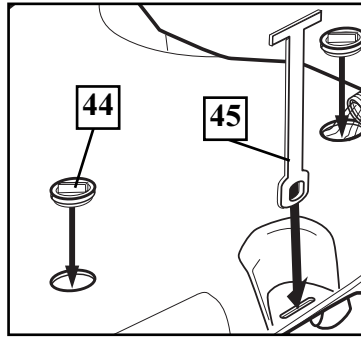


- 27.** Insert bolt (36) through the left side of the upper elevator tube (40), then stretch spring (42) onto bolt (36). Insert bolt (36) through the right side of the upper elevator tube (40) and secure with nut (38).



28.

Roll completed assembly to desired playing area. Secure assembly to ground using T-strap (45) and tie down stake (46). Fill tank with 34 gallons of water



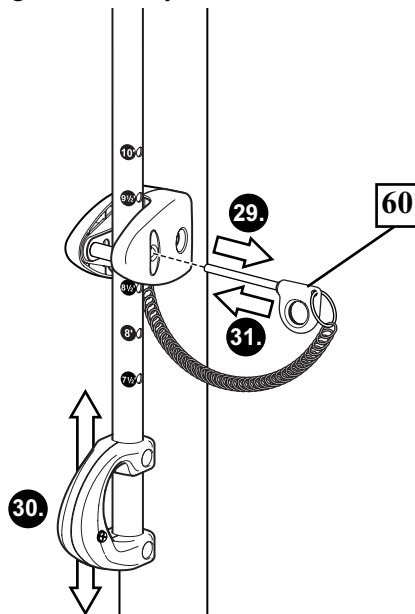
! WARNING!
DO NOT LEAVE ASSEMBLY UNATTENDED WHEN EMPTY; IT MAY TIP OVER.

! CAUTION!
ADD TWO GALLONS (7.6 LITERS) OF NON-TOXIC ANTIFREEZE IN SUB-FREEZING CLIMATES.

! WARNING!
TWO PEOPLE REQUIRED FOR THIS PROCEDURE. FAILURE TO FOLLOW THIS WARNING COULD RESULT IN SERIOUS INJURY AND/OR PROPERTY DAMAGE.

HEIGHT ADJUSTMENT

- 29. While holding handle, remove pin (60).
- 30. Move elevator up or down to desired height.
- 31. Replace pin full length to lock system at desired height.



! WARNING!
DO NOT ALLOW CHILDREN TO ADJUST HEIGHT.

- 32. Apply height and moving label (47) to front of pole as shown.

47

HEIGHT ADJUSTMENT

TO ADJUST BACKBOARD:

1. While holding handle, remove pin.
2. Move elevator up or down to desired height.
3. Replace pin full length to lock system at desired height.

MOVING SYSTEM

1. Adjust basketball backboard height to lowest position.
2. Rotate handles forward until wheels engage ground.
3. Move basketball system to desired location.
4. Rotate handle back to original position.
5. Reattach ground restraint and check system for stability.

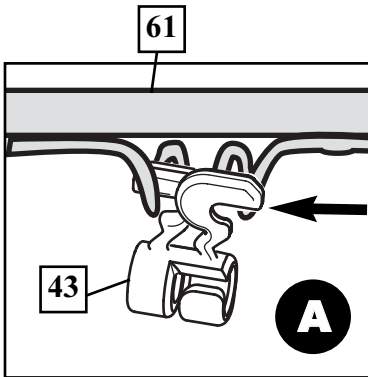
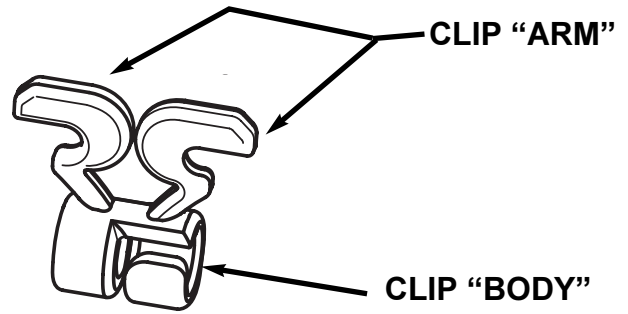
10 ft. (3.05 m)

201253 2/99

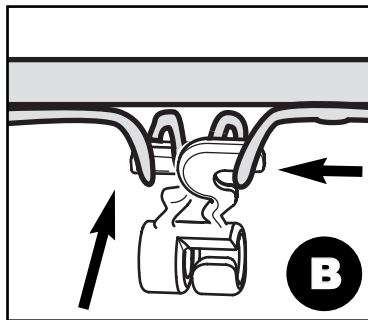
NET INSTALLATION

33. Install clips.

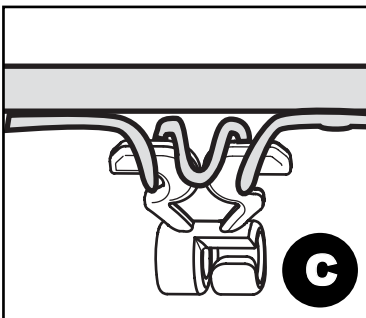
	! WARNING!
	USE OF THIS PRODUCT WITHOUT PROPER INSTALLATION OF SMART CLIPS®, OR WHEN ALL SMART CLIPS® ARE NOT PRESENT COULD RESULT IN BODILY HARM. BE SURE TO FOLLOW DIRECTIONS CAREFULLY.



Insert one "arm" of clip into ram as shown. Twist "body" of clip slightly so that second "arm" slides over the top of the first "arm" as shown. Push in direction indicated by arrows.

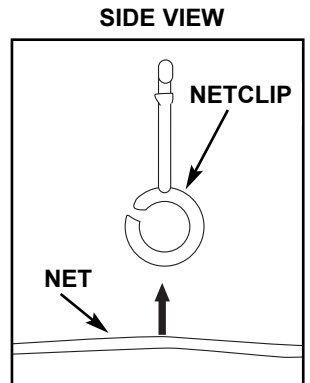
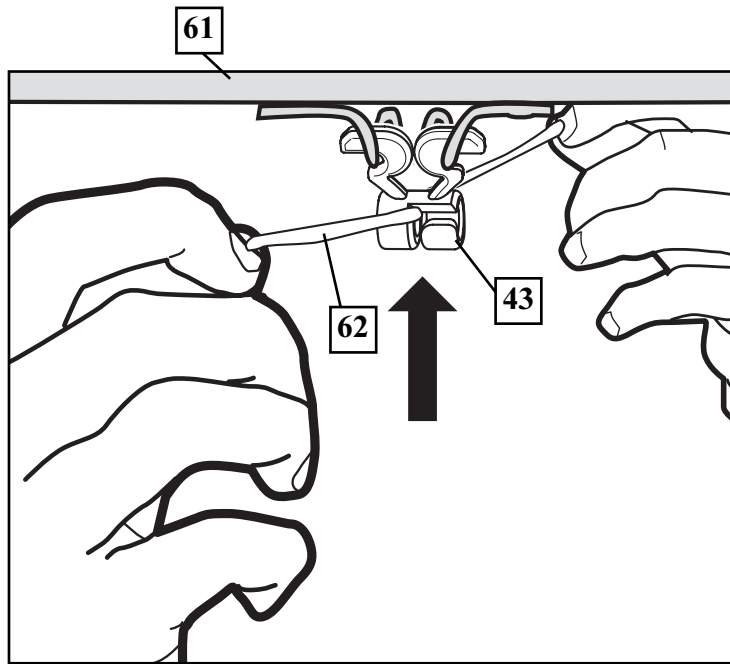


Push second "arm" back and into ram as shown.

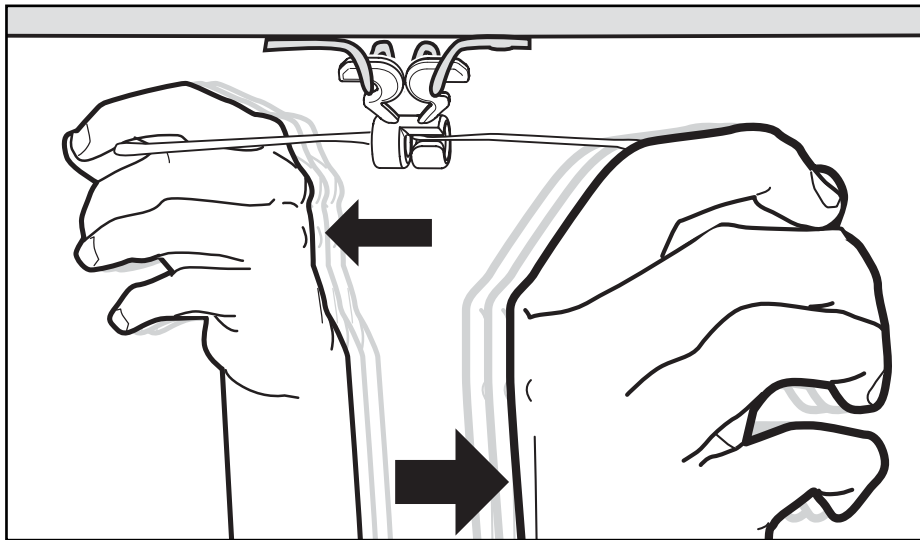


Twist "body" of clip slightly again to spread "arms" of clip. Clip "arms" must be flat and touching edge to edge as shown, not overlapping.

34.



Insert net into bottom of clip as shown.



Twist net until it snaps into position.
Net must be centered through clip.

